

Brake chopper control board, v 2.1 - Documentation

SINTEF Energy Research

Address: N--7465 Trondheim
 Reception: Sem Sælands vei 11
 Telephone: +47 73 59 72 00
 Telefax: +47 73 59 72 50

<http://www.energy.sintef.no>

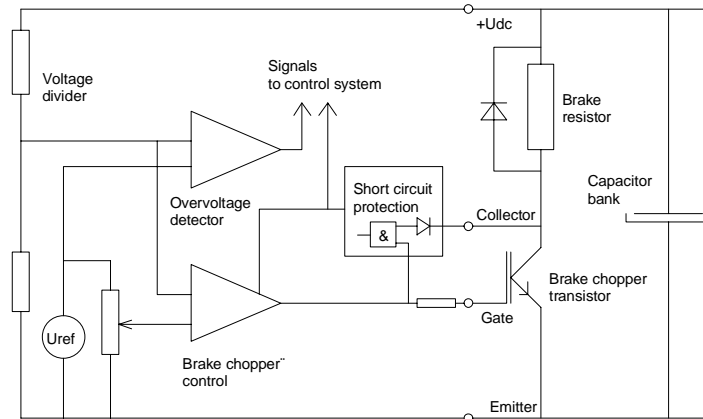
E. No.: NO 939 350 675

DISTRIBUTION

Magnar Hernes, Nils Arild Ringheim, (SEfAS)
 Roy Nilsen, Helge Kolstad, Richard Lund,
 Vladimir Klubicka (NTNU Elkraft)

AN NO. AN 00.12.48	CLASSIFICATION Unrestricted	REVIEWED BY Magnar Hernes
ELECTRONIC FILE CODE	AUTHOR(S) Kjell Ljøkelsoy	DATE 2000-11-24
PROJECT NO. 12X127.03	Kjell.Ljokelsoy@energy.sintef.no	NO. OF PAGES 12
DIVISION Power T&D Systems	LOCATION Sem Sælandsvei 11	LOCAL TELEFAX +47 73 59 72 50

*This memo contains: Description, schematic drawing, board layout drawings
 Component list, connection list, modifications and corrections.*



This board monitors the DC-link voltage, and controls an IGBT brake chopper. Overvoltage trip setpoint is determined by a voltage divider. Default trip level is 640V. Brake chopper operating voltage is adjustable between 0%-100% of overvoltage trip level.

Short circuit protection of the chopper transistor is included.

This board operates independently of the DC link voltage. Power supply: 15V DC, at ground potential. Insulation is provided through an onboard DC-DC converter.

Feedback status signals are available for central control logic, residing at ground potential, through a set of onboard optocouplers.

TABLE OF CONTENTS

	<u>Page</u>
1 DESCRIPTION	3
2 CIRCUIT AND COMPONENT DETAILS.....	5
3 SCHEMA	6
4 BOARD LAYOUT	7
5 COMPONENT LIST	8
6 CONNECTION LIST	10
7 MODIFICATIONS AND CORRECTIONS	11
8 BOARD REVISION HISTORY	12