

MEMO CONCERNS

Driver interface board, v 4.0 - Documentation
SINTEF Energy Research

 Address: N-7465 Trondheim
 Reception: Sem Sælands vei 11
 Telephone: +47 73 59 72 00
 Telefax: +47 73 59 72 50

<http://www.energy.sintef.no>

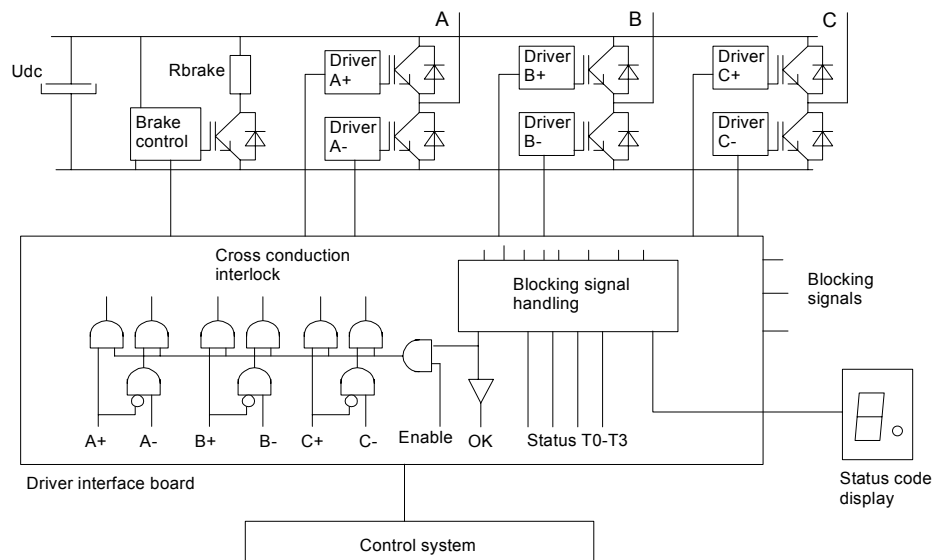
E. No.: NO 939 350 675

DISTRIBUTION

 Magnar Hernes, Nils Arild Ringheim, (SEfAS)
 Roy Nilsen, Helge Kolstad, Richard Lund,
 Vladimir Klubicka (NTNU Elkraft)

AN NO. AN 00.12.49	CLASSIFICATION Unrestricted	REVIEWED BY Magnar Hernes
ELECTRONIC FILE CODE	AUTHOR(S) Kjell Ljøkelsøy Richard Lund, NTNU	DATE 2000-11-24
PROJECT NO. 12X127.03		NO. OF PAGES 16
DIVISION Power T&D Systems	LOCATION Sem Sælandsvei 11	LOCAL TELEFAX +47 73 59 72 50

This memo contains: Description, schematic drawing, board layout drawings, Component list, connection list, modifications and corrections.



This board provides a defined, general purpose, logic level interface between the control system and the power circuit switches.

The switches of three bridgelegs can be controlled. All six switches are independently controlled. Three bridgeleg driver boards and a brake chopper control board can be attached. Blocking signals from these boards, and from four general purpose blocking signal inputs can be latched. Two unlatched blocking signal inputs are also provided.

Cross conduction interlock circuitry is included on this board. Optocouplers, turn on delay and short circuit protection circuitry are located on the driver boards.

TABLE OF CONTENTS

	Page
1 DESCRIPTION	3
2 SCHEMA	5
3 BOARD LAYOUT	6
4 DISPLAY BOARD	8
5 COMPONENT LIST	9
6 CONNECTION LIST	12
7 STATUS SIGNAL CODING.....	14
8 ERROR CORRECTION LIST.....	15
9 BOARD REVISION HISTORY	16