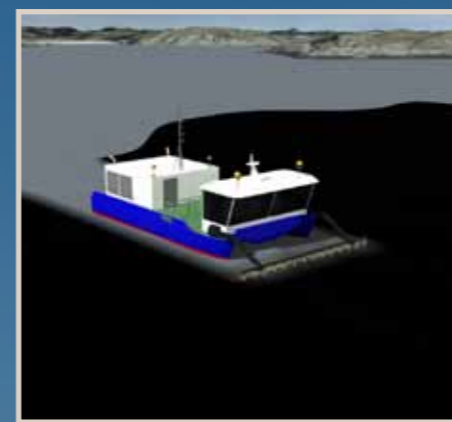
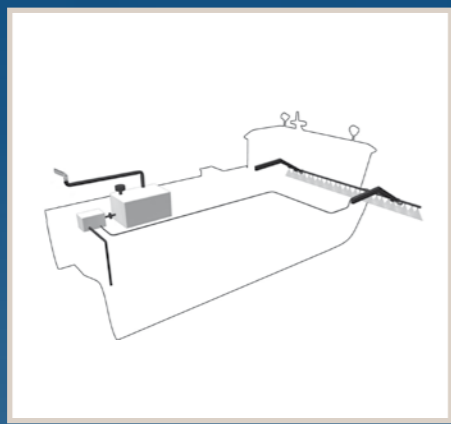
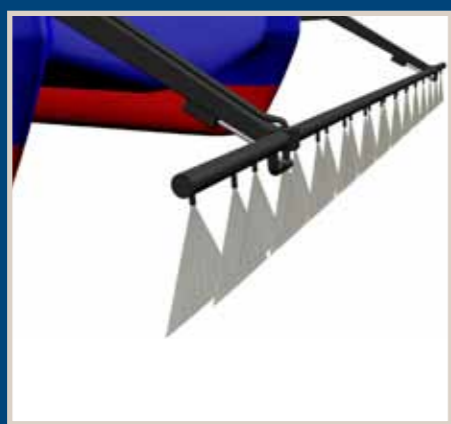
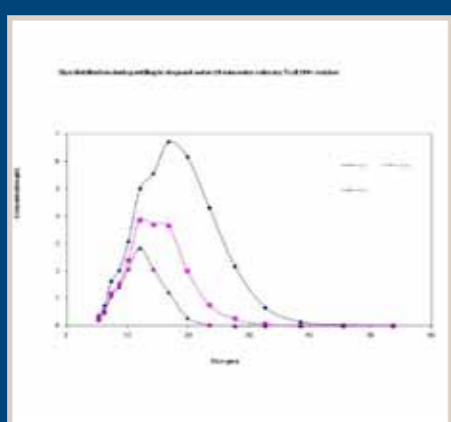


Chemical-free dispersion

Chemical dispersion is one of the key oil spill counter-measures, but also controversial in some situations. The present method is a patent pending, chemical-free technique for dispersion of oil on water using ultra high pressure water-jet. The method may eliminate the use of chemicals in oil spill contingency in many situations..

Main features of the proposed technology;

- High pressure water jet nozzles coupled in parallel on a rig on board the vessel
- The vessel's propulsion system is used to increase the mixing energy
- Water/seawater is the principal effect provider – no chemicals added
- Other effects (hard particles, high pressure air, and ultrasound) may enhance the efficacy
- Idea generated after field experiments in 2009
- Preliminary tests in laboratory in 2010.



Contact:

Senior Business Developer, Stein Erik Sørstrøm
 E-mail; stein.e.sorstrom@sintef.no
 Senior Scientist, Trond Nortug.
 E-mail; trond.nortug@sintef.no
 SINTEF Materials and Chemistry